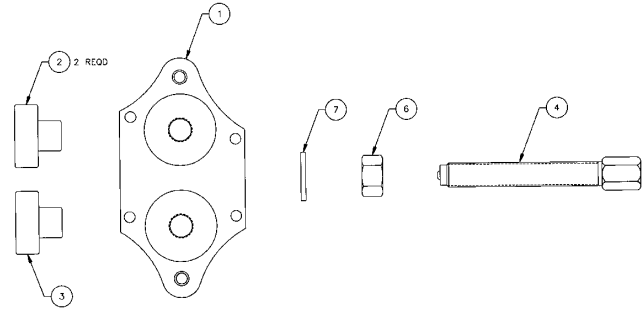




Instruction Sheet For Tool #1078

5-SPEED TRANSMISSION DOOR BEARING REMOVER AND INSTALLER Use on Big Twin 1980-Present



PARTS AVAILABLE SEPARATELY

NO.	PART NO.	QTY.	DESCRIPTION
1	1078-1	1	TOOLING PLATE
2	1078-2	2	PILOT INSTALLER
3	1078-3	1	PILOT REMOVER
4	1024	1	SCREW
5	1203	6	MOUNTING SCREWS
6	2000	1	NUT
7	2020	1	FLATWASHER

1. Refer to H.D.® Service Manual for removal of transmission.
2. Warning: Disconnect negative cable to battery.
3. This tool will also remove the door, while leaving the shafts and gears in the case (By using 2 #1024 screws).
4. Remove all screws from case that hold door to case, and also the 2 nuts off the ends of the shafts. mount tool to door with at least 4 screws lubed. Lube the two 1024 screws and turn each screw 1 turn at a time until the door has cleared the case.
6. With transmission removed from case, remove both door bearing snap rings. Install tool on transmission door using allen screws provided No.1203. Use this tool only if door bearings are to be replaced.
7. To remove transmission shafts from transmission door, install #1024 screw in threaded hole over countershaft end, and turn screw until shaft is pushed out of bearing. Move screw to mainshaft hole and repeat procedure.
8. To remove bearings from transmission door. With shafts removed from transmission door, and tool still in place, install pressing plug No.1078-2 into bearing on trans side of door.
9. Install nut No.2000 onto No.1024 screw, lube all threads, put washer against nut, thread#1024 screw through plug and push out bearing. Move plug No.1078-2 and screw to the other bearing and repeat procedure. Then remove tool from door.
10. To assemble bearing in door. Install new bearing using a press fit lube,like JIMS #2124. Place bearing, lettered side up, over the bearing bore. Install press plug No.1078-3 on bearing, and install tool on transmission door with screws. Press in bearing by turning in screw #1024 until bearing gently bottoms in door. Repeat procedure for the other bearing.
11. Remove tool and install snap rings to retain bearings. Reassemble transmission as described in H.D.® Service Manual.

CAUTION: Wear safety glasses. Excessive force may damage parts and tools! See JIMS® catalog for over 100 other top quality professional tools. The last tools you will ever need to buy.

"FROM THE TRACK... TO THE STREET"

555 Dawson Drive, Camarillo, CA 93012 • Phone 805-482-6913 • Fax 805-482-7422 • www.jimsusa.com